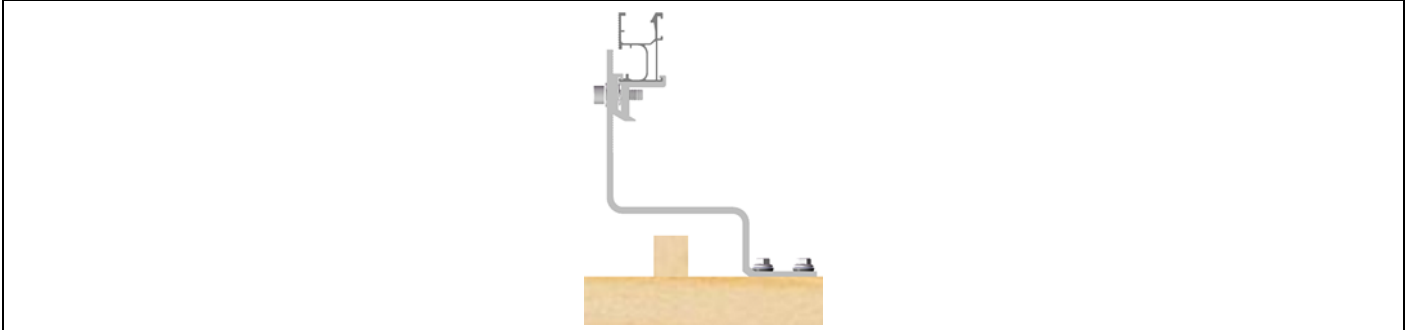


## SolarRoof, Tile Interface with ezClick connection for ECO-Rail

### Assembly

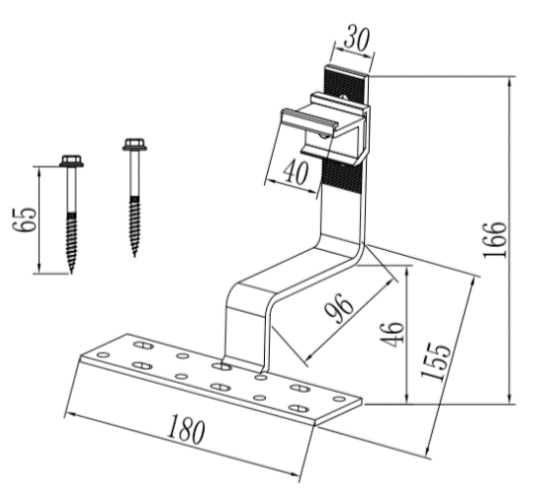


### Component



PV-ezRack SolarRoof, Tile Interface with ezClick connection for ECO-Rail  
Part No.: ER-I-01/EZC/ECO

### Technical Specification

Application	Tile Roof with Timber Purlin	
Screw Specification	Buildex 14-10 x 65 (14 gauge, 6.3 mm, 10 TPI, 65 mm long) Hex Head Zips screw	
Dimensions	L180mm*W155mm*H166mm	
Weight	0.678 Kg	
Packaging	15 units per pack; 2 packs (30 units) per carton	
Material	Roof Hook: SUS304 ezClick: AL6005-T5 Bolts/Washer/Nuts: SUS304	
Color	Silver	
Standard	AS NZS1170.2-2011	