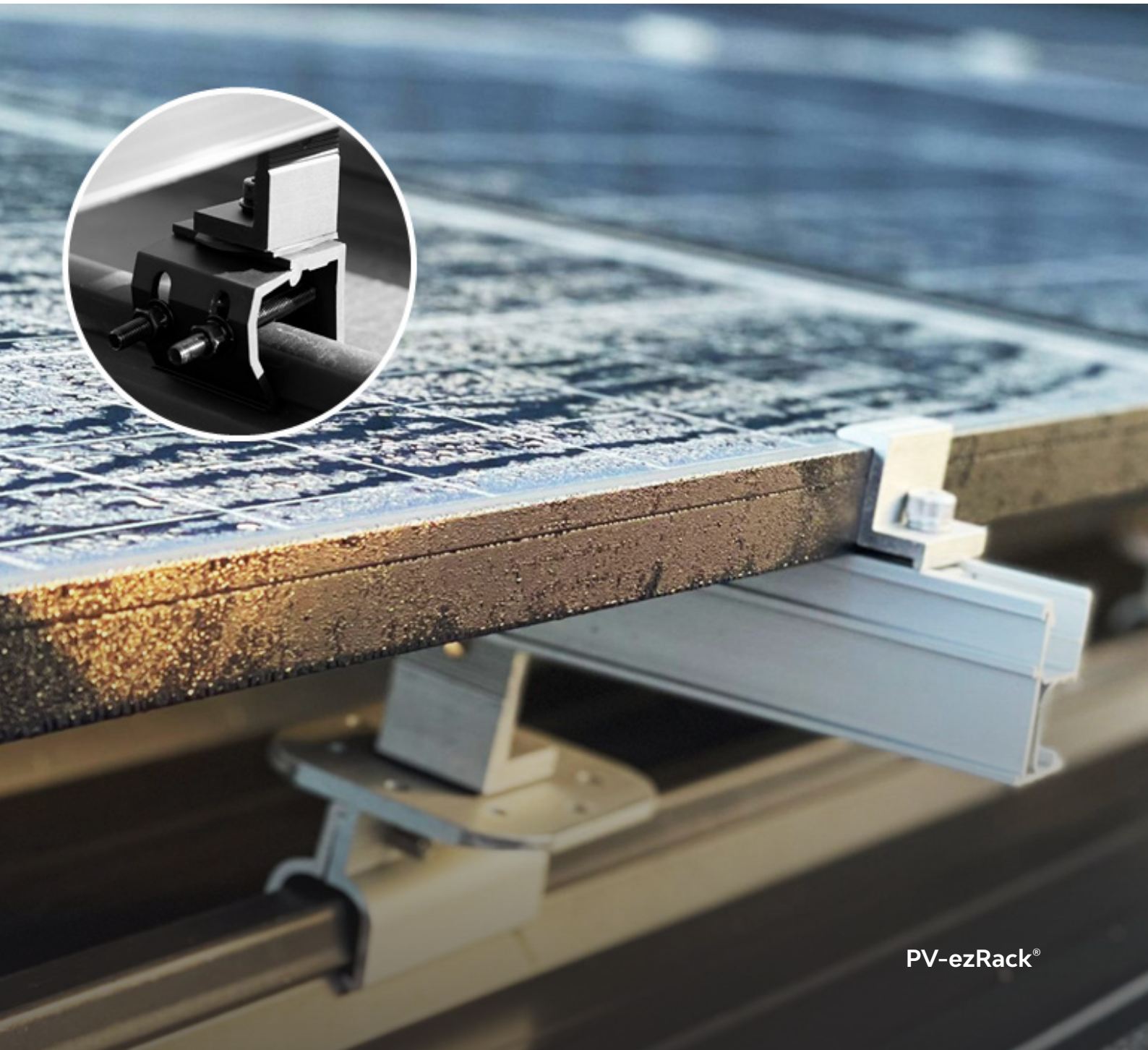
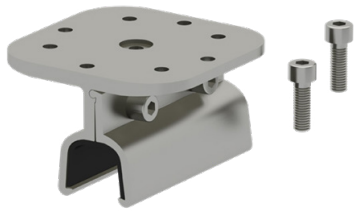


Non-Penetrative Clamps

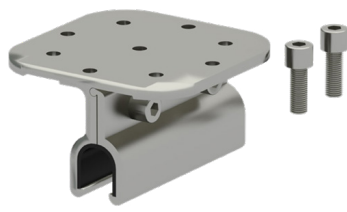


Non-Penetrative Clamps



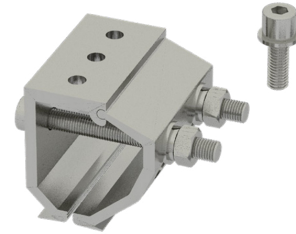
ER-I-09

- Apexsteel Apdeck 700
- Lysaght Klip-lok 700 Classic
- Lysaght Klip-Lok 700 Hi-Strength
- Stramit Speed Deck Ultra
- Fielders King Klip 700
- Stratco Topdeck 700
- Metroll Metlok 700
- Stramit Speed Deck 500



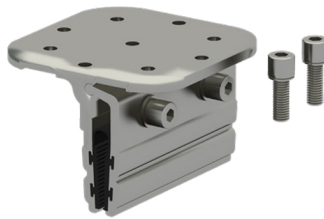
ER-I-32/AU

- Lysaght Klip-Lok 406



ER-I-34

- Lysaght Klip-lok 700 Classic
- Lysaght Klip-Lok 700 Hi-Strength
- Lysaght Klip-Lok 406
- Stramit Speed Deck Ultra
- Fielders King Klip 700
- Stratco Topdeck 700
- Metroll Metlok 700
- Stramit Speed Deck 500
- Revolution Rev-Klip 700
- Steeline Steel-Rib 500 (ST-28)
- Revolution Maxline 340
- Steeline Lokdeck 680
- Lysaght Longline 305

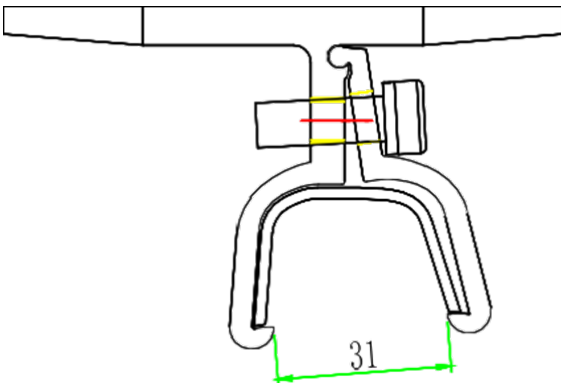
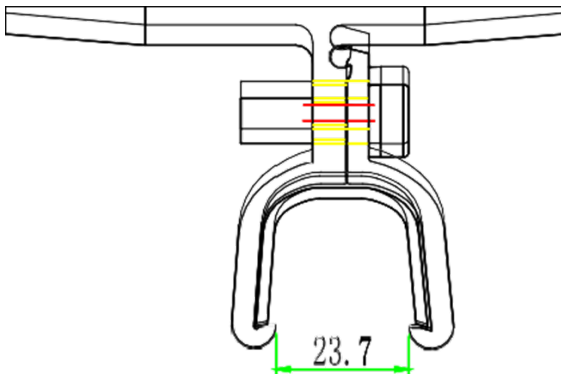


ER-I-29/AU

- Lysaght Longline 305

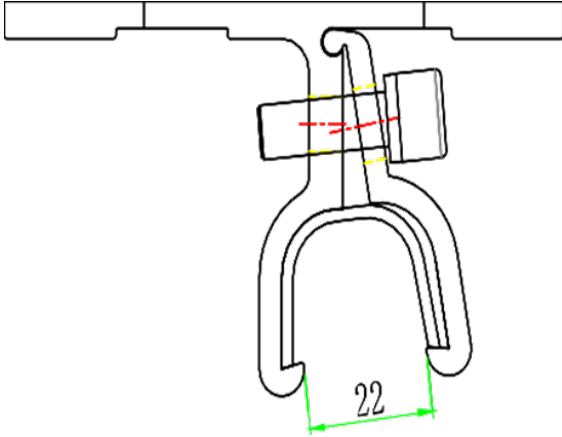
Planning

Appendix A: Klip Lok Interface Dimensions (mm)

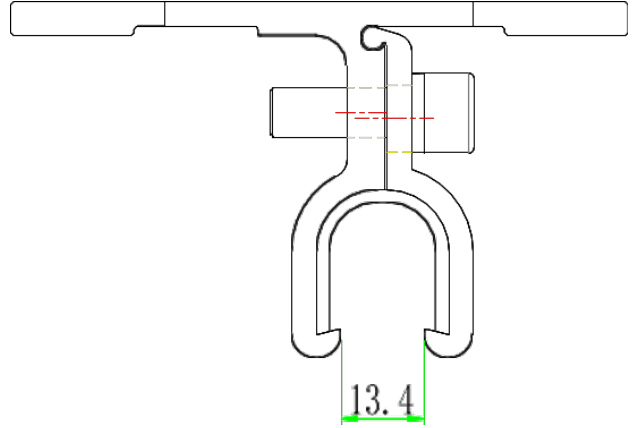
ER-I-09 Drawings	
Maximum opening	Minimum opening
	

ER-I-32/AU Drawings

Maximum opening

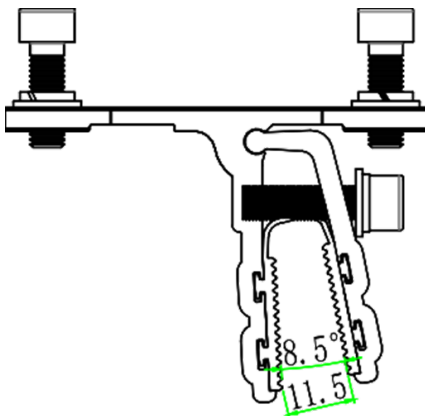


Minimum opening

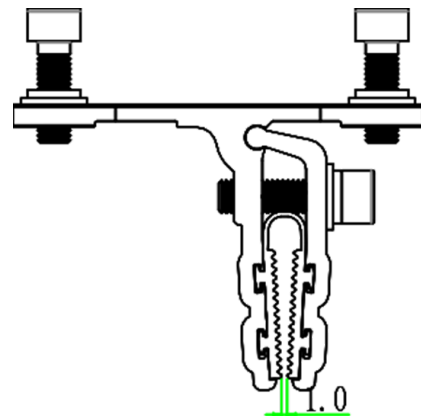


ER-I-29/AU Drawings

Maximum opening

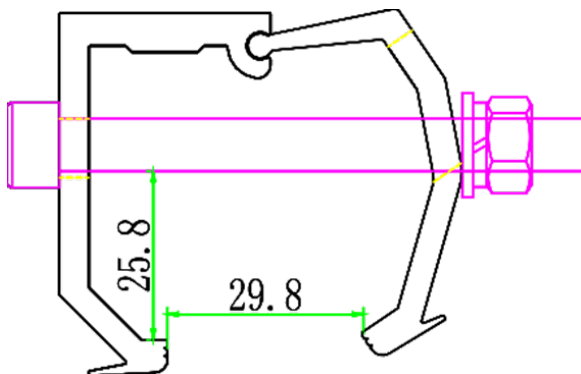


Minimum opening

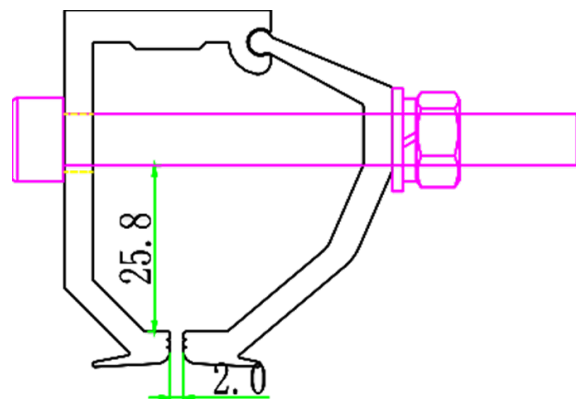


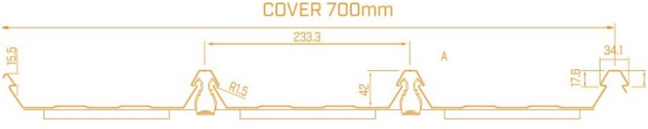
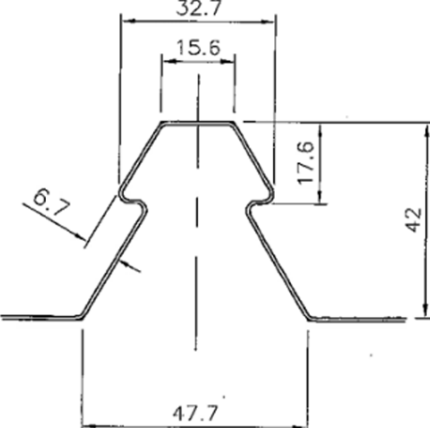
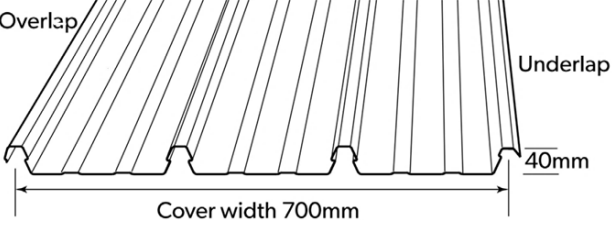
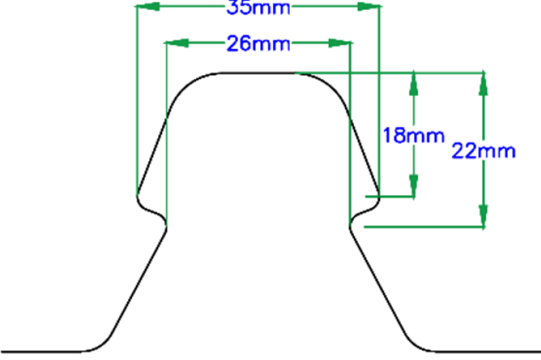
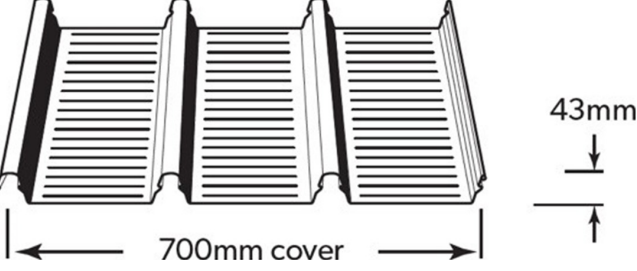
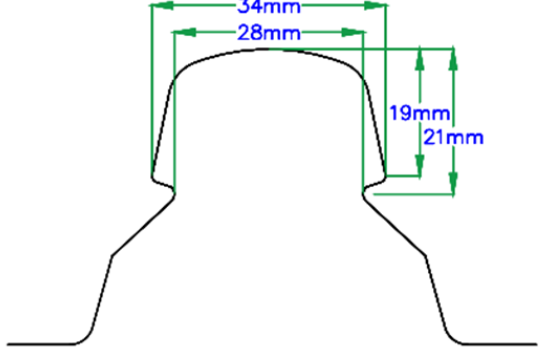
ER-I-34 Drawings

Maximum opening

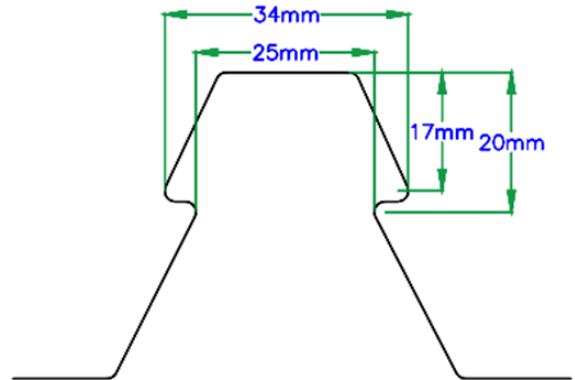
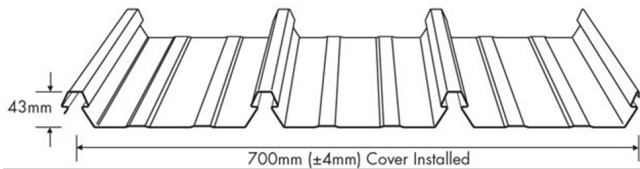


Minimum opening



Apexsteel Apdeck 700	
 <p>COVER 700mm 233.3 15.5 R1.5 42 34.1 17.6</p>	 <p>32.7 15.6 17.6 42 47.7 6.7</p>
<p>Suitable interfaces: ER-I-09</p>	<p>Source: Manufacturer</p>
Lysaght Klip-Lok 700 Classic	
 <p>Overlap Underlap 40mm Cover width 700mm</p>	 <p>35mm 26mm 18mm 22mm</p>
<p>Suitable interfaces: ER-I-09 and ER-I-34</p>	<p>Source: SteelSelect</p>
Lysaght Klip-Lok 700 Hi-Strength	
 <p>43mm 700mm cover</p>	 <p>34mm 28mm 19mm 21mm</p>
<p>Suitable interfaces: ER-I-09 and ER-I-34</p>	<p>Source: SteelSelect</p>

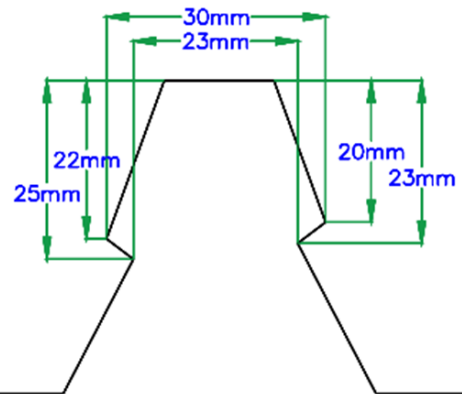
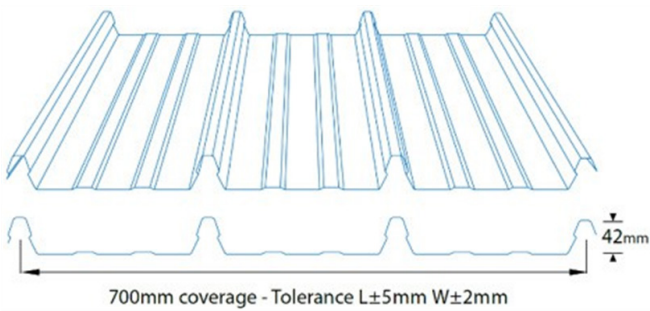
Stramit Speed Deck Ultra



Suitable interfaces: ER-I-09 and ER-I-34

Source: Manufacturer

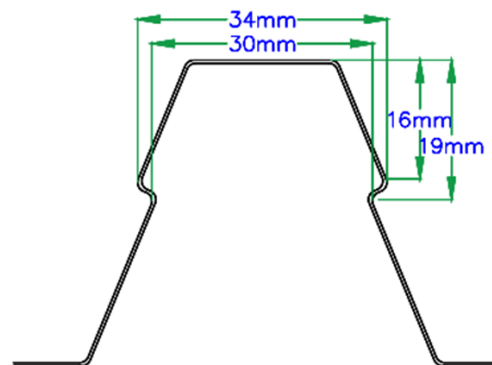
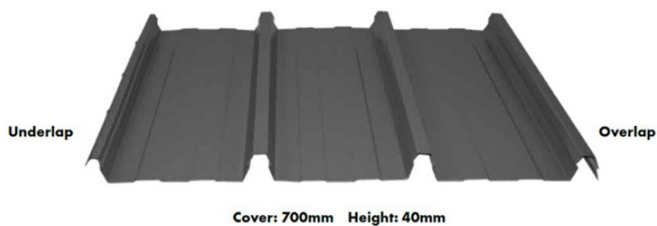
Stratco Topdeck 700



Suitable interfaces: ER-I-09 and ER-I-34

Source: SteelSelect

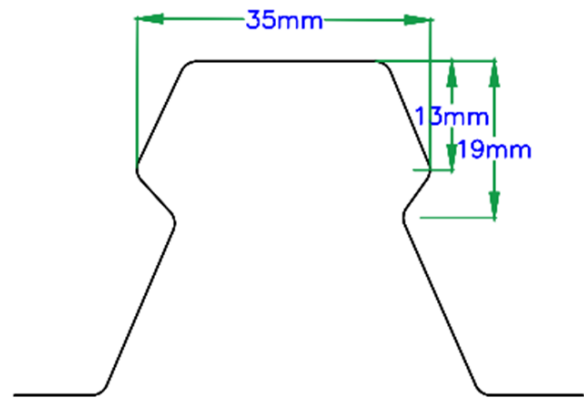
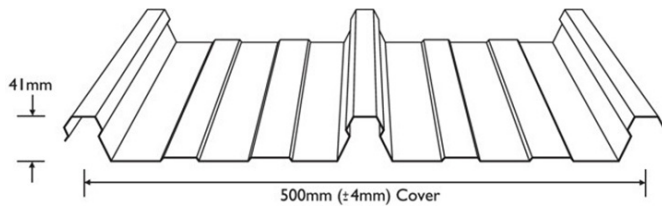
Metroll Metlok 700



Suitable interfaces: ER-I-09 and ER-I-34

Source: SteelSelect

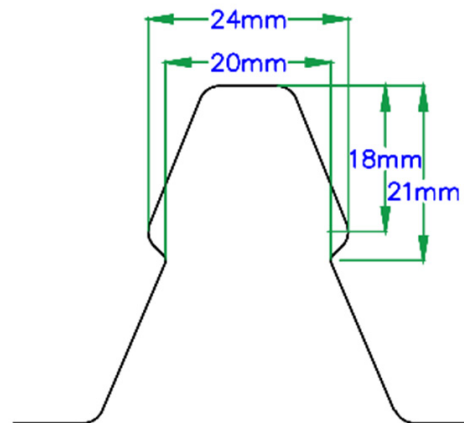
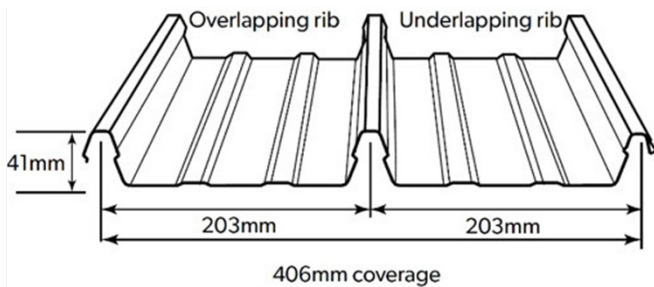
Stramit Speed Deck 500



Suitable interfaces: ER-I-09 and ER-I-34

Source: Manufacturer

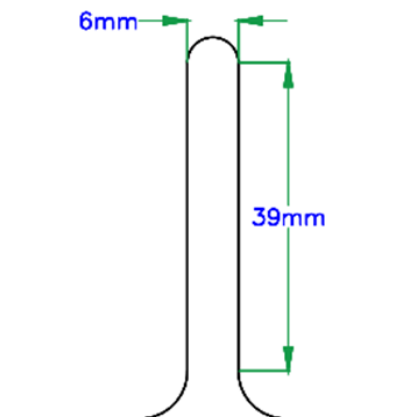
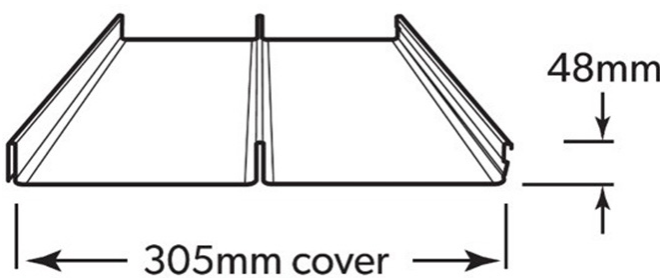
Lysaght Klip-Lok 406



Suitable interfaces: ER-I-32/AU and ER-I-34

Source: SteelSelect

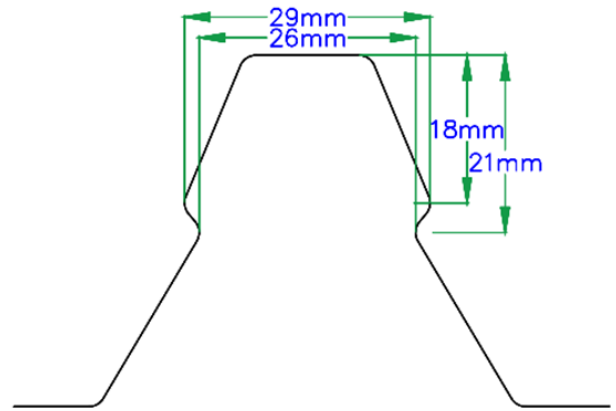
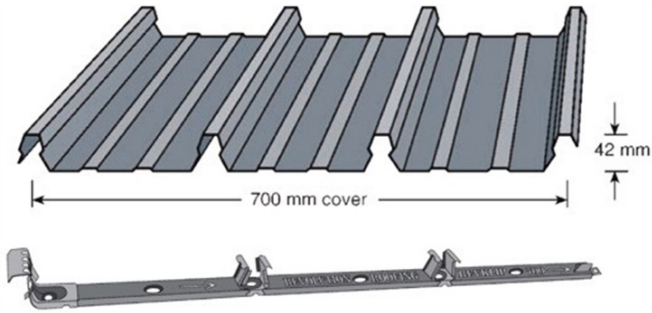
Lysaght Longline 305



Suitable interfaces: ER-I-29/AU and ER-I-34

Source: SteelSelect

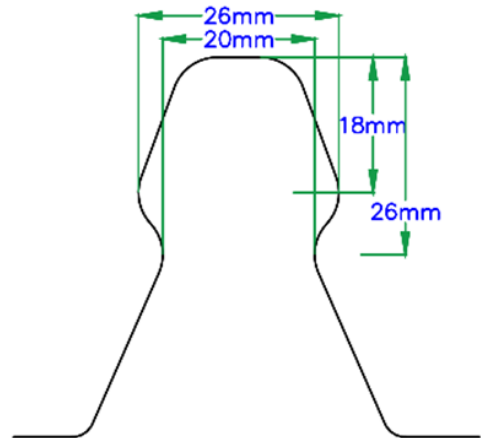
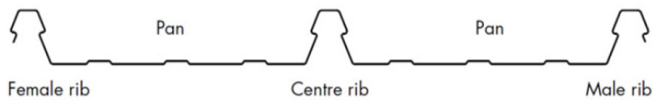
Revolution Rev-Klip 700



Suitable interfaces: ER-I-34

Source: Manufacturer

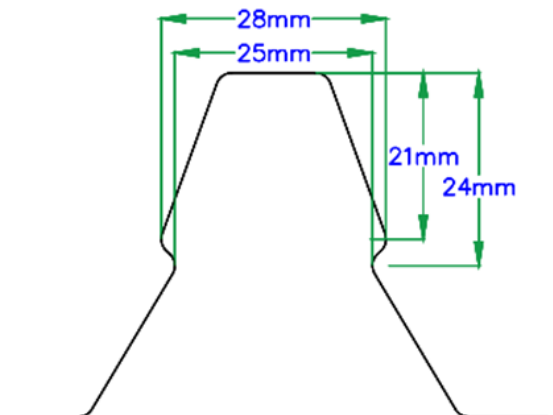
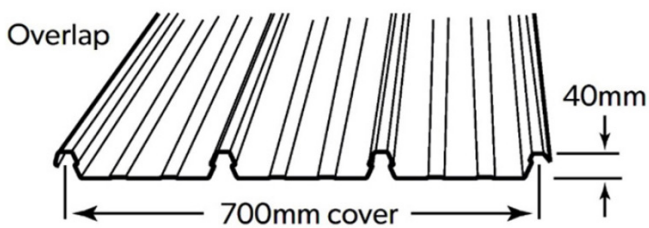
Steeline Steel-Rib 500 (ST-28)



Suitable interfaces: ER-I-34

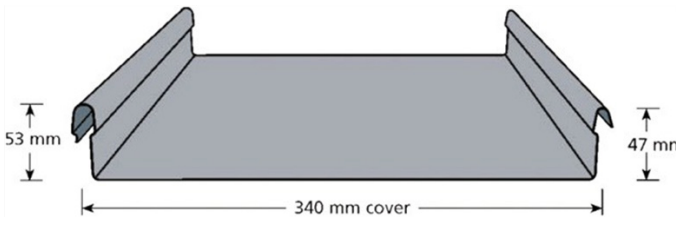
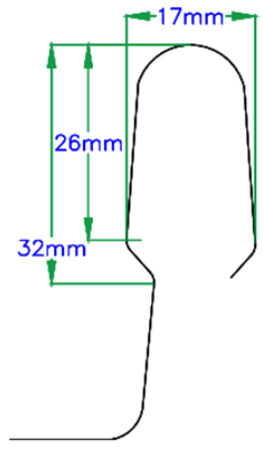
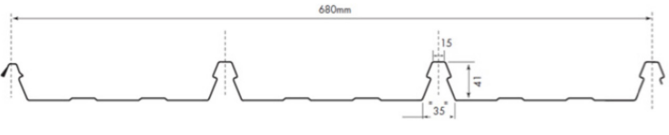
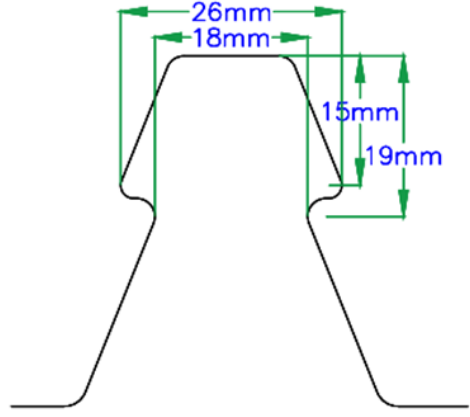
Source: SteelSelect

Fielders KingKlip 700



Suitable interfaces: ER-I-09 and ER-I-34

Source: SteelSelect

Revolution Maxline 340	
	
Suitable interfaces: ER-I-34	Source: Manufacturer
Steeline Lokdek 680 (ST 35)	
	
Suitable interfaces: ER-I-34	Source: SteelSelect

Appendix C: General Notes

1. The aim of this document is primarily to depict technical drawings of Clenergy non-penetrative interfaces/clamps and their corresponding certified roofing sheets.
2. The roofing sheet dimensions depicted in this document cannot solely confirm or identify Klip-Lok roofing sheets. This is primarily due to the existence of dimensionally similar looking roofing sheets but with different strength properties.
3. Some suggested roofing sheet identification methods, outside the scope of this document, include:
 - a. Building Drawings: Structural or Architectural
 - b. Roofing Sheet Labels: Generally located underneath the roofing sheet
 - c. Information on Packaging
4. Roofing sheet drawings are only for reference as they are subject to accuracy in comparison to manufacturer CAD drawings.



Clenergy Technology

Unit 3, 10 Duerdin Street,
Clayton, VIC 3168,
Australia

- +61 3 9239 8088
- sales@clenergy.com.au
- www.clenergy.com.au

Last Updated - Jun. 2026