

ComT 10° Front and Rear Legs V2


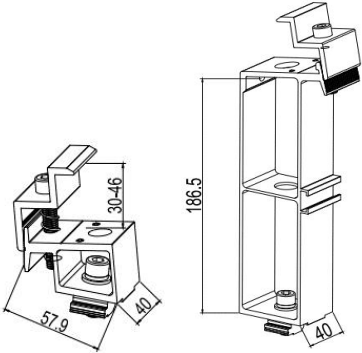
Assembly

Install into top channel of ECO rail		Install into top channel of T rail	

Component

ComT 10° Front Leg, version 2 Part No.: FL-COMT/Z/G/10V2 (bar code: 13-16053-041)	ComT 10° Rear Leg, version 2 Part No.: RL-COMT/Z/G/10V2 (bar code: 13-16053-043)

Technical Specification

Roof type	Tin and Flat Roof	 A 250 mm driving bit provided in each pack of rear leg 
Fixing Method	Fixing on the top channel of ECO rail or T50/110 rails with Z Module	
PV Panel Dimension	Up to 2400 x 1200 mm	
Packaging	Front leg: 30 units per pack, 4 packs (120 units) per carton Rear leg: 50 units per carton	
Weight	Front leg: 0.145 kg; Rear leg: 0.269 kg Front leg: 18.9 kg (carton); Rear leg: 14.0 kg (carton)	
Packaging Dimension	L395*W260*H330mm (carton dimension)	
Material	AL6005-T5	
Color	Silver (half-anodized no less than 10 μm)	
Standard	AS NZS1170.2-2011	

