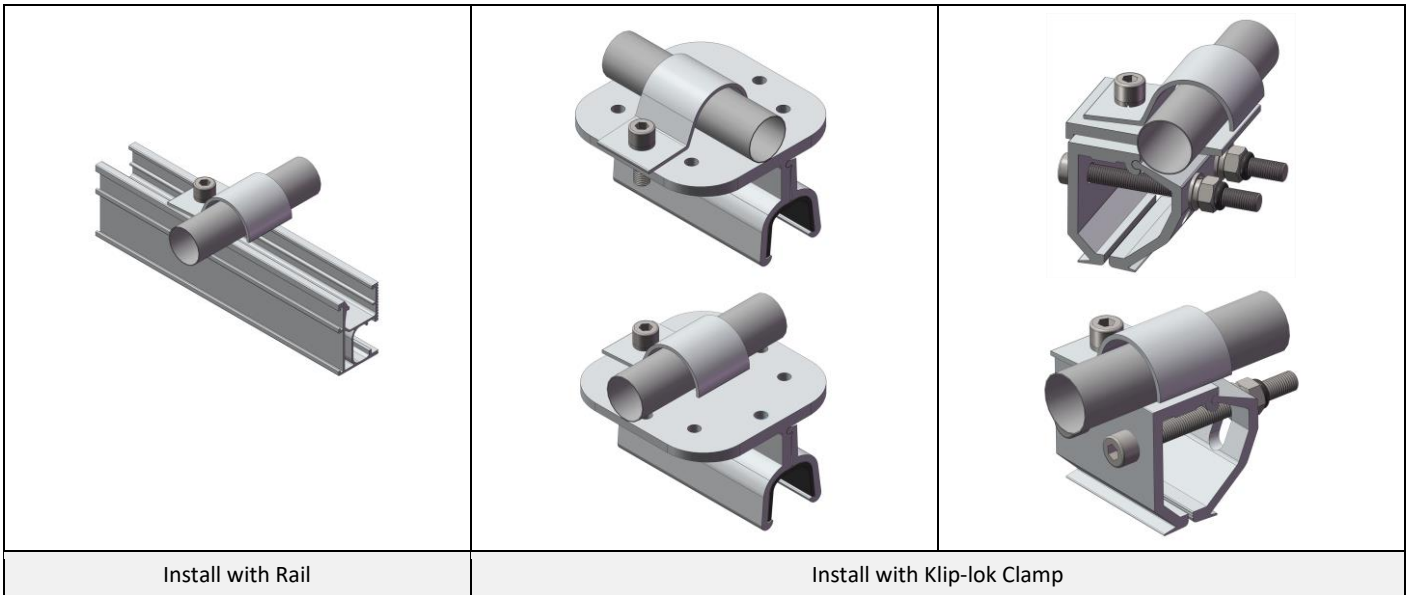


Assembly



Component



Technical Specification

Application	Fixing Conduit in PV-ezRack mounting system	
Conduit Size	25, 32 mm	
Dimension	L67.9mm*W35mm*H24mm	
Weight	0.017 Kg	
Packaging	316 pcs per carton; 198 cartons (62,568 pcs) per pallet	
Material	AL6005-T5	
Color	Silver (anodized, no less than 10 µm, excluding machined surfaces)	