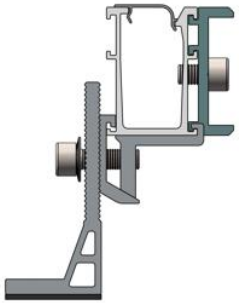
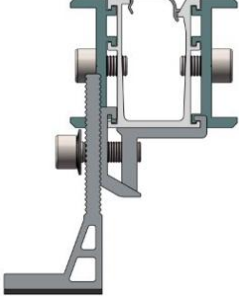
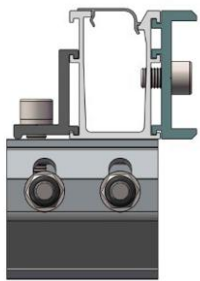
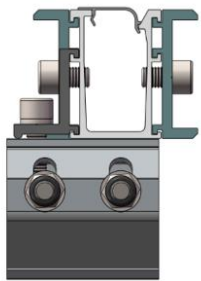


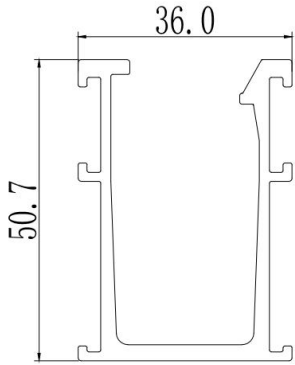
Assembly

			
With one set of splice	With two sets of splices	With one set of splice	With two sets of splices
Install with L feet		Install with Klip-lok Clamp (ER-I-34/CRC)	

Component



Technical Specification

Roof type	For PVezRack rooftop mounting system	
Dimension	W36.0mm*H50.7mm Standard Length: 4600mm	
Weight	0.947 Kg/m	
Packaging	96 pcs per pack; 4 packs (384 pcs) per pallet	
Material	AL6005-T5	
Color	Silver	
Finish	Mill Finished	
Standard	AS NZS1170.2-2021	