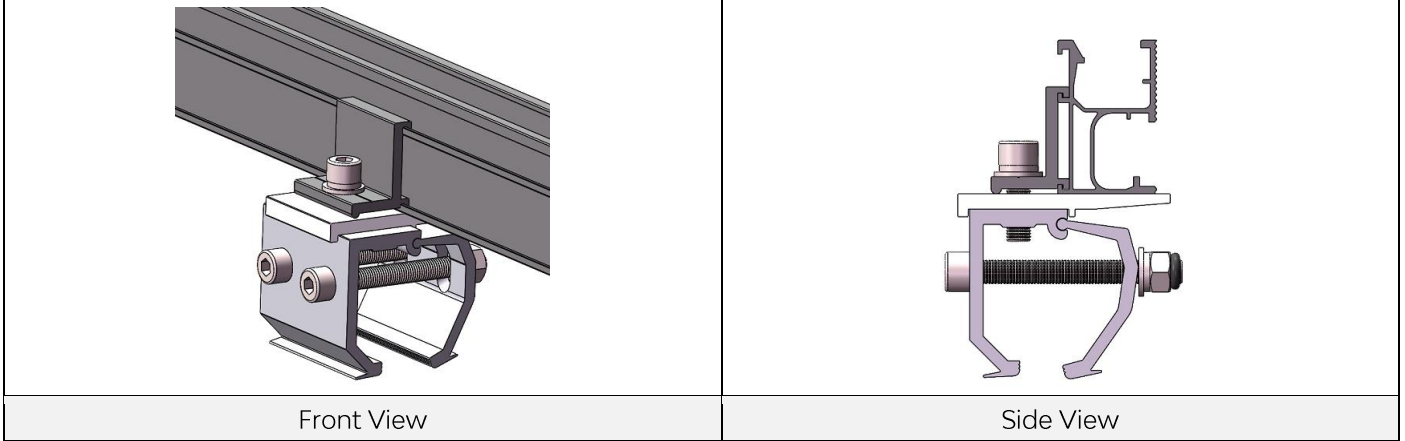
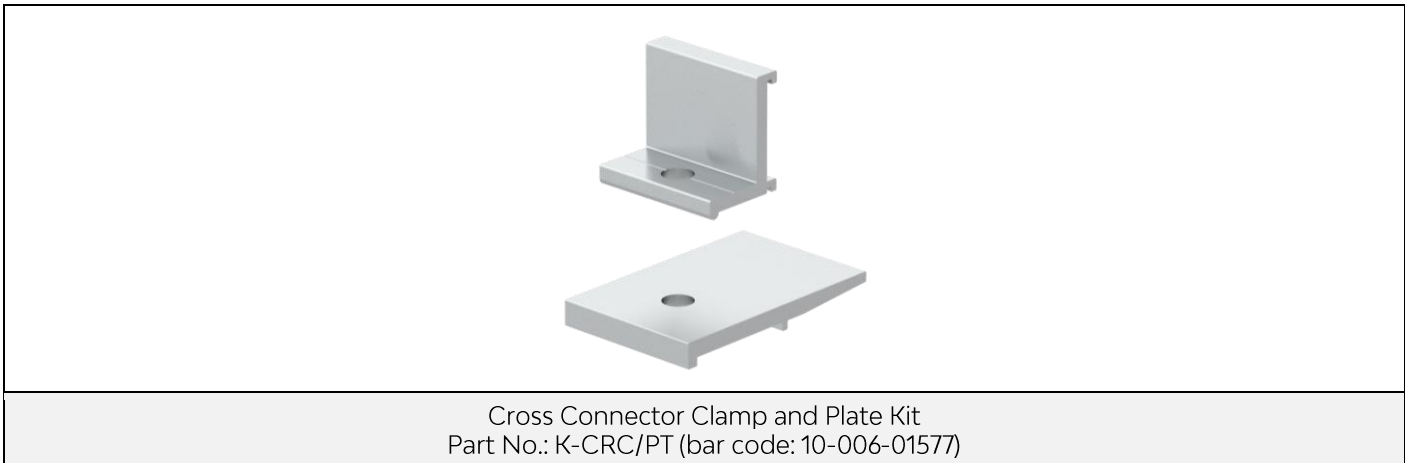


## Cross Connector Clamp and Plate Kit

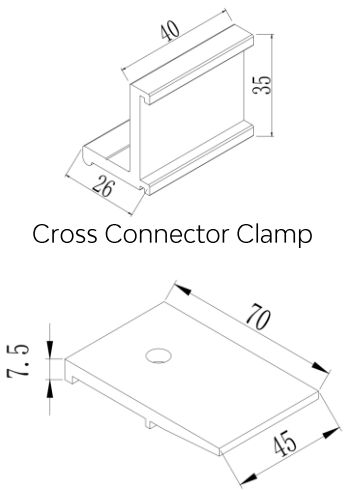
### Assembly



### Component



### Technical Specification

<b>Application</b>	Brooklyn Klip-lok Clamp (ER-I-34)	 <p style="text-align: center;">Cross Connector Clamp</p> <p style="text-align: center;">Cross Connector Clamp Plate</p>
<b>Rail Running</b>	Parallel to roof ribs	
<b>Dimension</b>	Cross Connector Clamp: L40mm*W26mm*H35mm Cross Connector Clamp Plate: L70mm*W45mm*H7.5mm	
<b>Weight</b>	0.066 kg	
<b>Packaging</b>	90 units per pack, 2 packs (180 units) per carton	
<b>Packaging Dimension</b>	L405*W270*H180mm (carton dimension)	
<b>Material</b>	AL6005-T5	
<b>Color</b>	Silver Anodised (no less than 10 µm, excluding machined surfaces)	