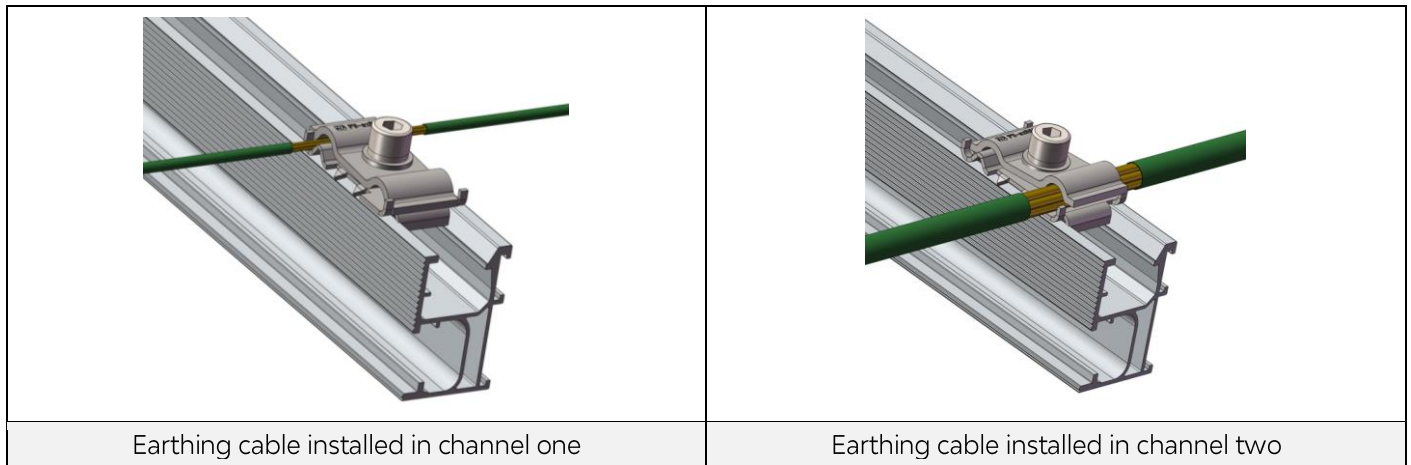
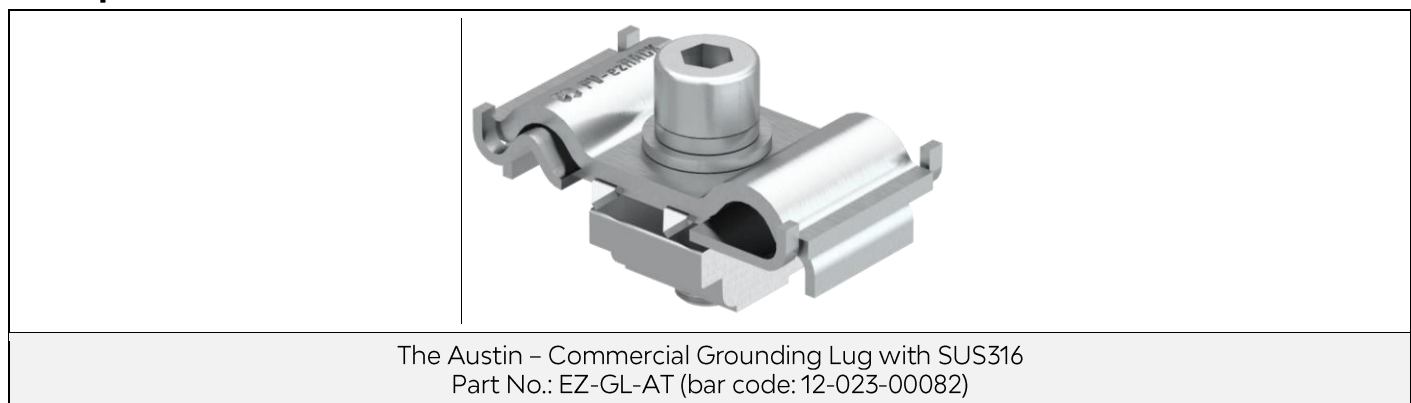


The Austin – Commercial Grounding Lug

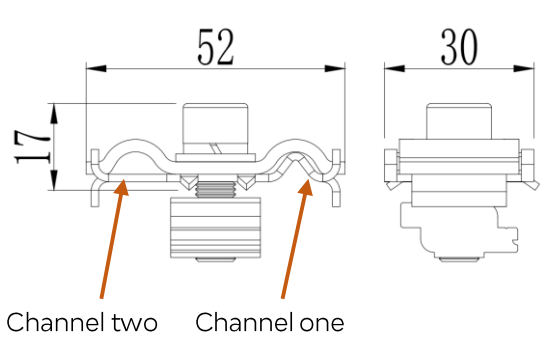
Assembly



Component



Technical Specification

| | | |
|---------------------|---|--|
| Application | Fixing earthing cable in PVEzRack mounting system |  |
| Fixing method | Fixing into ECO/T50/T110 Rail with Z module | |
| Earthing Cable Size | Channel One: 4, 6, 10 and 16mm ² Channel Two: 25, 35, 50mm ² | |
| Dimensions | W30mm*L52mm | |
| Weight | 0.073 kg | |
| Packaging | 8 pcs per bag, 120 units per pack, 2 packs (240 units) per carton Carton weight: 17 Kg | |
| Material | Lug: SUS316; Bolt/Washer: SUS316 Z module: AL6005-T5 | |