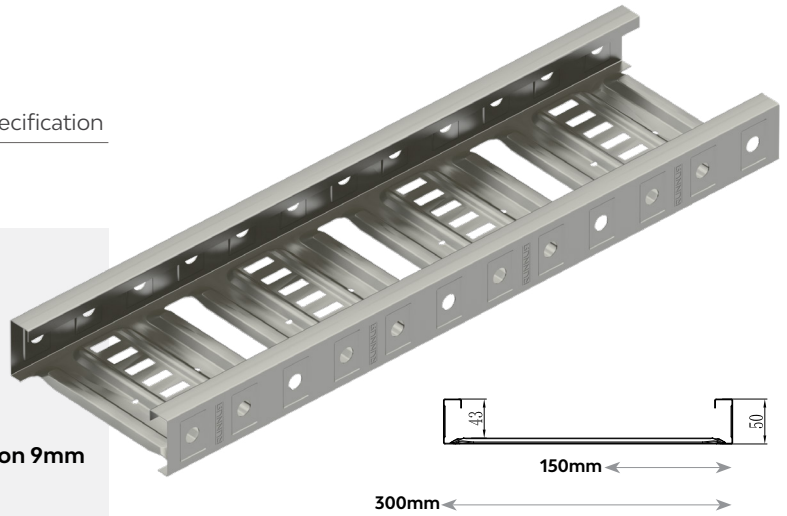


Cable Tray

Technical Specification

Load Rating and Deflection

SPAN	3.0m	28kg	Deflection 32mm
	2.5m	40kg	Deflection 22mm
	2.0m	63kg	Deflection 15mm
	1.5m	113kg	Deflection 9mm
LOAD PER METER			



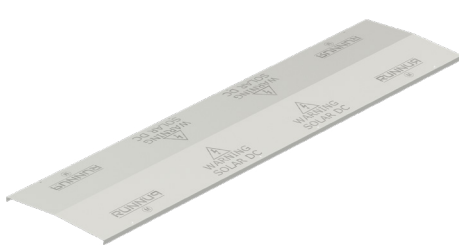
Part No. (Ordering Code)	Cable Laying Width (mm)	Cable Laying Depth (mm)	Overall Width (mm)	Side Rail Height (mm)	Weight (kg)	Packaging
CR1-CT150M	150	43	172	50	1.887/m	150 pcs per pallet
CR1-CT300M	300	43	322	50	2.707/m	84 pcs per pallet

Notes:

- 1) CR1 has been tested in accordance with NEMA VE1 standard by a NATA certified testing facility. The deflection for continuous span is based on physical test results for easy reference. However, it cannot be applied to end spans. Please refer to NEMA VE2 installation guidelines for cable tray installations.
- 2) Supplied in 3m length.
- 3) Standards ---AS/NZS 4600, AS/NZS 1170.0, AS/NZS 1170.1, NZS 1170.5, NZS 4219

Flat and Peaked Cover

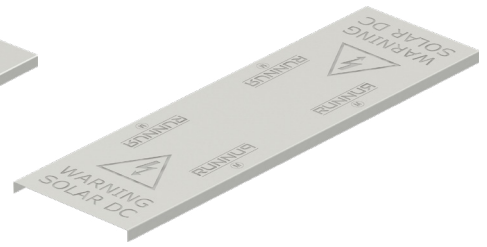
Technical Specification



Peak Cover with "Warning Solar DC"
CR-CTPCS300M



Flat Plain Cover
CR-CTFC150M or CR-CTFC300M



Flat Cover with "Warning Solar DC"
CR-CTFCS150M

Part No. (Ordering Code)	Nominal Width (mm)	Overall Width (mm)	Length (mm)	Weight (kg)	Packaging
CR-CTFC150M CR-CTFCS150M	150	175	3000	0.954/m	150 pcs per pallet
CR-CTFC300M CR-CTPCS300M	300	325	3000	1.661/m	84 pcs per pallet

Note:

Standards --- AS/NZS 4600 (Labelling / Signs to AS/NZS5033)

Accessories



CR1-SPM
Splice Plate (*1)
2 Splices required per length of tray. Order fasteners separately for installation:
2 x CR-SBS
2 x CR-CS



CR1-RM
Riser Link (*1)
6 Riser Links required to perform a 90° set. Order fasteners separately for installation (per Riser Link):
2 x CR-SBS
2 x CR-CS



CR1-TM
Tee/Cross Bracket (*1)
2 TX Brackets required to make a tee; 4 required to make a cross. Order fasteners separately for installation (per Tee/Cross Bracket):
4 x CR-SBS
4 x CR-CS



CR1-HM
Hold Down Unit (*1)
Order fasteners separately for installation



CR-I-01
Tin Interface for Cable Tray (*2)
Bolts & washers included



CR1-RPM
Radius Plate (*1)
Standard 2.0m length. Order fasteners separately for installation. Approximate length required to make a 150mm radius bend:

Tray Width	Length Required	Fasteners Required
150mm	0.7m	6
300mm	0.9m	6



CR-SBS
Splice Bolt M10*18 (*3)



CR-CS
Counterbore Nut (*3)



CR-DM/BWS
Diamond Module Assembly with Bolt M8*20 and Large Washer (*3)

Note:
Standards --- (*1) AS/NZS 4600, (*2) AS/NZS1866, (*3) AS2837

Order Method

Example

Cable Tray & Cover

CR1-CT 150 M

<p>Select Cable Tray</p> <p>CR Clenergy RUNNUR Series</p> <p>CR1 Clenergy RUNNUR Series 1</p>	<p>Select Component</p> <p>CT Cable Tray</p> <p>CTFC Cable Tray Flat Cover</p> <p>CTFCS Cable Tray Flat Cover with "Warning Solar DC"</p> <p>CTPCS Cable Tray Peaked Cover with "Warning Solar DC"</p>	<p>Select Width (mm)</p> <p>150</p> <p>300</p>	<p>Select Finish</p> <p>M MAC</p>
--	---	---	---

Accessories

CR1-SP M

<p>Select Cable Tray</p> <p>CR Clenergy RUNNUR Series</p> <p>CR1 Clenergy RUNNUR Series 1</p>	<p>Select Accessory</p> <p>SP Splice Plate</p> <p>R Riser Link</p> <p>T Tee/Cross Bracket</p> <p>RP Radius Plate</p> <p>H Hold Down Unit</p> <p>SB Splice Bolt</p> <p>C Counterbore Nut</p>	<p>Select Finish</p> <p>M MAC</p> <p>S Stainless Steel</p>
--	---	---

[f](#) @runnurcabletrays
 [@](#) @runnur.clenergy
 [in](#) @runnur
 T: 03 9239 8088 | E: sales@clenergy.com.au | W: www.runnur.com.au