



SolarRoof Non-penetrative

Reliable, robust roof mounting system with high quality components designed for concealed-fix roof claddings (Klip-lok, Longline)



SolarRoof Non-penetrative

To achieve and maintain improved watertightness of solar installations on Klip-lok type tin roofs, PVezRack® SolarRoof has been expanded with a range of non-penetrative brackets. Rigorous testing on real size roofing sheets ensures safety, compliance and structural integrity of the PV-installations. As a result, the Klip-lok type brackets can be used for installing flush to the roof as well as for tiled systems.

Main Benefits

No roof penetration

Watertightness is easily maintained with the SolarRoof clamps for concealed fix roofs, as there's no need for roof penetration. With Clenergy's thorough testing methods, this is made possible without any compromises on safety or structural integrity.

Versatility

The non-penetrative clamps can be used for flush installations as well as for tilting. The two fixing methods for flush mounting include direct mounting** (no rails) and bracket plus L-feet (with rails). For tilted systems, the adjustable tilt legs or SolarTripod can be used directly on the compatible nonpenetrative clamps.

Quick and easy installation

Innovative and internationally patented, the Z-Module technology is used in almost all SolarRoof components. The Z-Module provides a quick, easy and safe installation method. It can be inserted in to the rail at any given point, and secured with just three hand grips

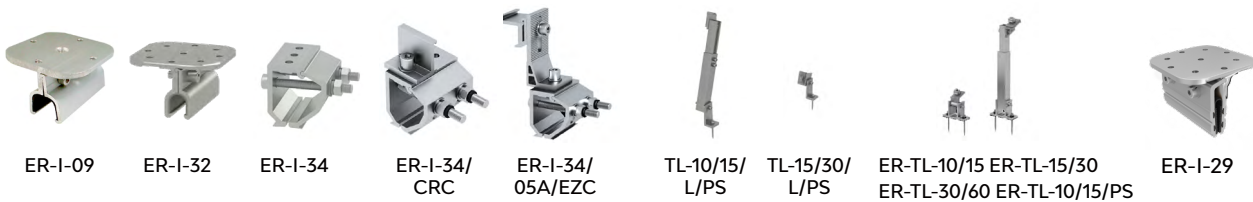
10 Year
Warranty

Commercial

Residential

International Patent
PCT/AU2009/000616

*See [Clenergy PVezRack® Warranty](#) for further details.



Klip-lok Type Clamp

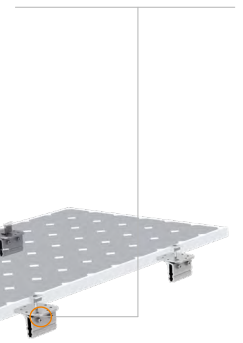
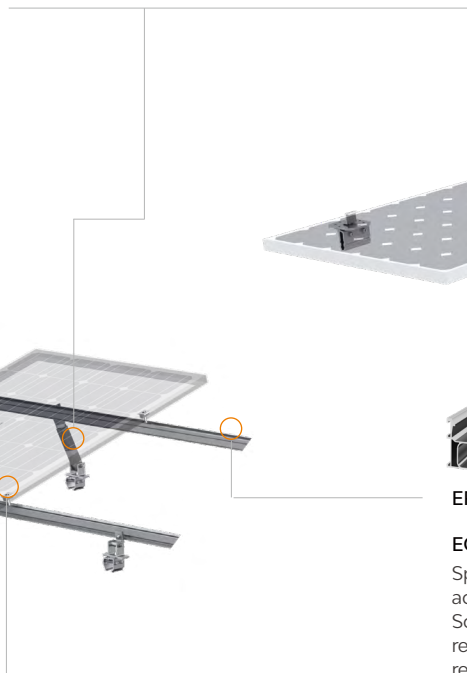
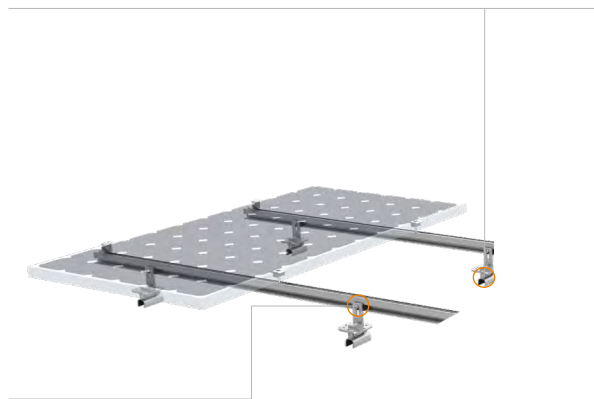
For flush mount as well as tilting, the Klip-lok type clamp has been tested and accredited for concealed-fix cladding types including types KLIP-LOK 406 (Lysaght), KLIP-LOK 700 (Lysaght), Speed Deck Ultra (Stramit), KingKlip (Fielders)

Adjustable Tilt Legs

One of Clenergy's first innovations, this universal design allows a wide range of tilt angles with only one component. The tilt leg is made entirely of structural grade aluminium profiles connected with stainless steel fasteners. The available adapters, non-penetration clamps and base rails make the application of this part truly universal.

Longline Clamp

Tested and accredited for LONGLINE 305 concealed-fix cladding for flush mount as well as for tilting with tilt legs or SolarTripod.



ER-I-05

Tin Interface

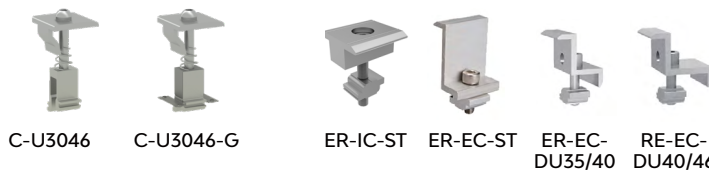
The robust aluminium L-feet, which provides a height adjustment of almost 30mm, is designed for corrugated and trimdek type tin roofs. It comes with a Z-Module or Click Module plus bolt preassembled, with a screw which includes bonded sealing washer plus an EPDM rubber pad.



ER-R-ECO

ECO-Rail

Specifically developed to achieve larger spans, the SolarRoof ECO-Rail has reduced the number of required fixings. The ECO-Rails have two patented Z-Module channels with one at top for panel mounting and the second on side for connecting to the roof interface. The ECO-Rail comes in 2100, 3150 and 4200mm lengths.



Universal Clamp

The robust aluminium L-feet, which provides a height adjustment of almost 30mm, is designed for corrugated and trimdek type tin roofs. It comes with Z-Module, Click Module or ez Connection, which is pre-assembled and helps to ease the Rail installation.

Inter and End Clamps

Specifically developed to achieve larger spans, the ECO-Rail has reduced the number of required fixings. The ECO-Rails have two patented Z-Module channels with one at top for panel mounting and the second on side for connecting to the roof interface.

Materials AL6005-T5 | SUS304

Contact us or one of our qualified resellers for a personalised quotation today.

Available accessories








PV-ezRACK®

Clenergy

1/10 Duerdin St
Clayton VIC 3168
Australia

Phone: +61 3 9239 8088
Email: sales@clenergy.com.au
Web: www.clenergy.com.au

 @ClenergyGlobal / @ClenergyClub / ClenergyAUS  @Clenergy  @ClenergyClub
 @Clenergy_global  @Clenergy

A Clenergy Technologies Company

