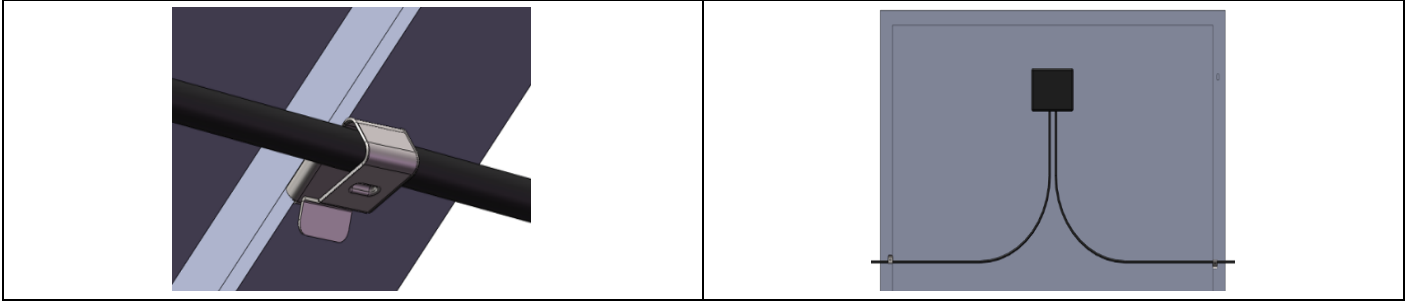
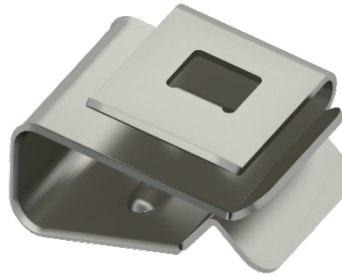


Universal Cable Clip for PV Panels for holding 2 cables, Landscape

Assembly

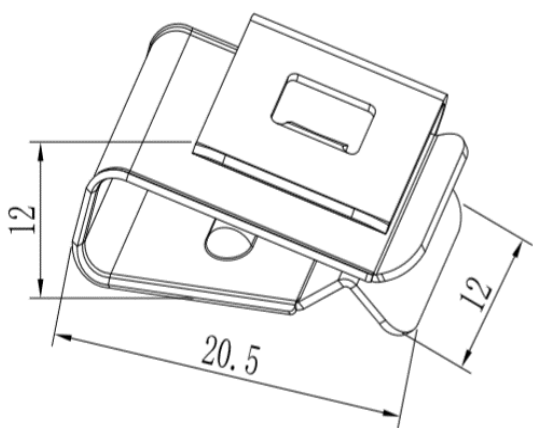


Component



Universal Cable Clip for PV Panels for holding 2 cables, Landscape
Part No.: EZ-CC-PV/2/L

Technical Specification

Fixing method	Fixed on the frame of PV module, holding two cables	
PV Module Type	For framed PV Module only	
PV Module Frame Thickness	1.3-2.0 mm	
Min PV Module Frame Width	12 mm	
Max Cable Size	10 mm ²	
Dimensions	L20.5mm*W12mm*H12mm	
Weight	0.003kg	
Packaging	900 pcs per pack; 4 packs (3600 pcs) per carton	
Material	SUS304 3/4H	
Color	Silver	
Standard	AS NZS1170.2-2011	