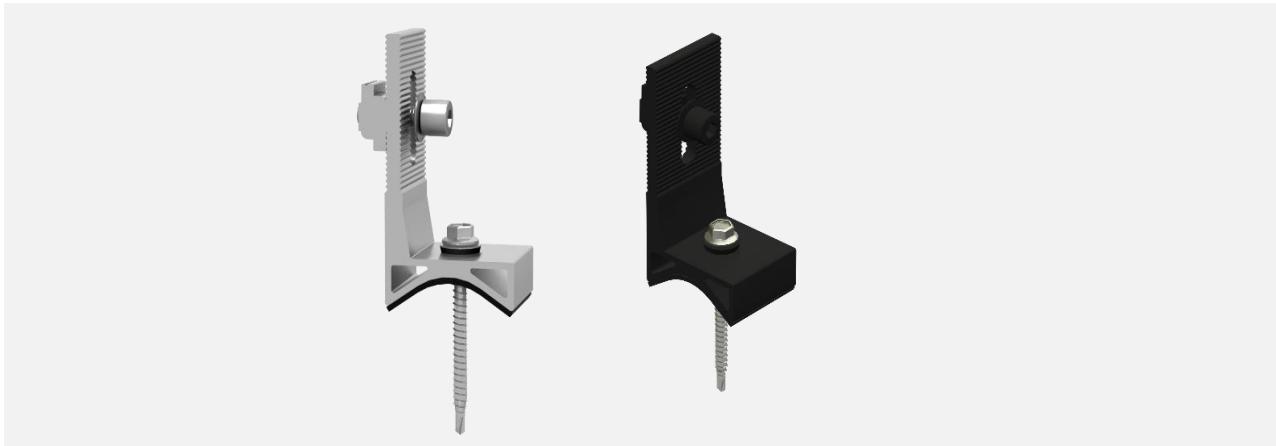


PV-ezRack SolarRoof

Tin Interface with Curved Base for Corrugated Roof

- Component -

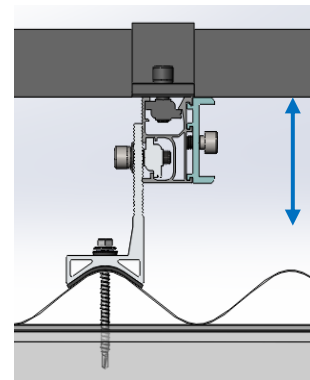


Tin Interface with Curved Base for Corrugated Roof (Z Module+ Bolt + Universal Screw)

Part No.: ER-I-25, ER-I-25/BA

- Technical Specification -

Application	Corrugated Tin Roof
Purlin Requirement	Metal or Timber purlin
Screw Specification	Buildex 14-11 x 70 (14 gauge, 6.3 mm, 11 TPI, 70 mm long) Hex Head
EPDM	Pre-fitted (2mm thickness)
Dimensions	L40mm*W50mm*H95.8mm
Packaging	40 units per pack; 4 packs (160 units) per carton
Material	Main Structure: AL6005-T5 Bolts/washers/nuts: SUS 304
Weight	0.139 kg
Color	Silver (anodized, no less than 10 µm) Black (full anodized)
Standard	AS NZS1170.2-2011



Clearance
89~104mm

