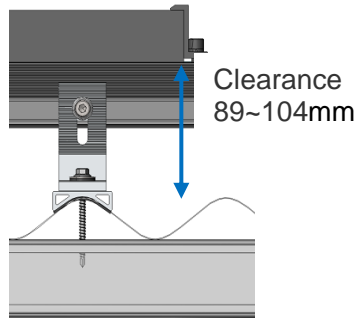
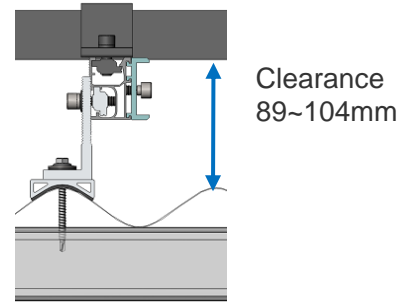


PV-ezRack SolarRoof Adapter (Puck) for Corrugated Tin Roof

- Assembly -

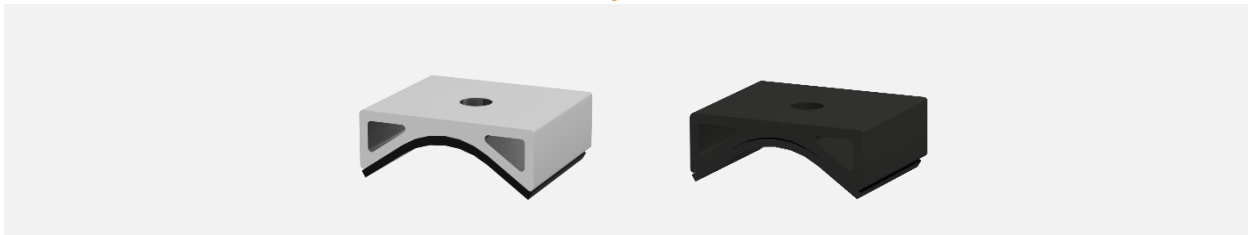


The rail is perpendicular to the rib of roof



The rail is parallel to the rib of roof

- Component -



Adapter (Puck) for Corrugated Iron Roof, with EPDM
Part No.: EZ-AD-C43, EZ-AD-C43/BA

- Technical Specification -

Roof type	Corrugated Roof
Fixing method	Fixing into the metal purlin with Buildex 14-11 x 70 (14 gauge, 6.3 mm, 11 TPI, 70 mm long) Hex Head Zips Screw
EPDM	Pre-fitted (2mm thickness)
Dimensions	L50mm*W43mm*H15.8mm
Weight	0.042kg
Packaging	170 units per pack; 2 packs (340 units) per carton
Material	AL6005-T5
Color	Silver (anodized, no less than 10 μm) Black (full anodized)
Standard	AS NZS1170.2-2011

