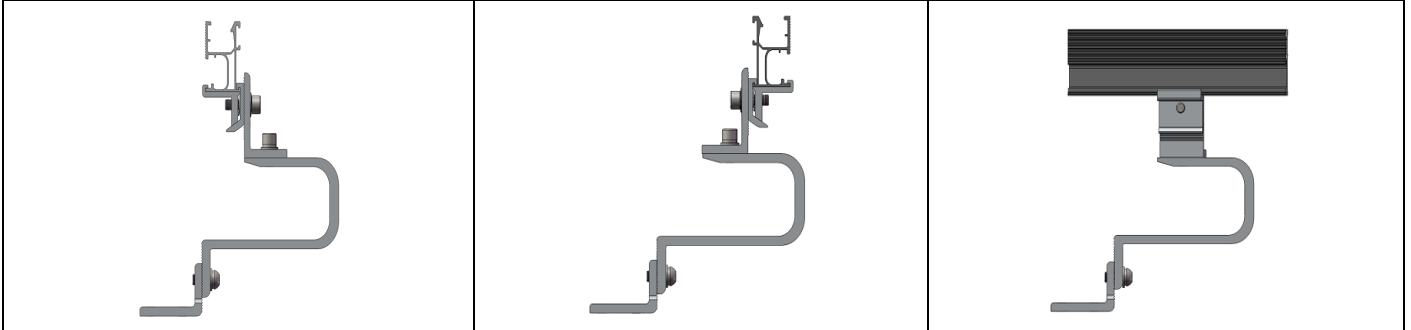


## Adjustable Tile Interface ezclick Connection for ECO-Rail

### Assembly

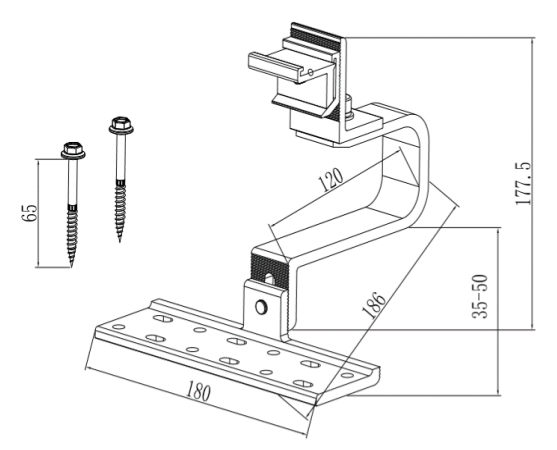


### Component-120 mm Horizontal Arm



Part No.: ER-I-41/EZC/ECO

### Technical Specification

Application	Tile Roof with Timber Purlin	
Tile Interface Orientation	Landscape or Portrait	
Screw Specification	2 x Buildex 14-10 x 65 (14 gauge, 6.3 mm, 10 TPI, 65 mm long) Hex Head Zips screw	
Dimensions	L 186mm*W 180mm*H 177.5mm	
Height Adjust	35-50mm	
Weight	0.532 Kg	
Packaging	10 units per carton	
Material	Roof Hook: AL6005-T5 Bolts/Washer/Nuts: SUS304 Screw: Carbon Steel SAE 1022	
Color	Silver (anodized, no less than 10µm)	
Standard	AS NZS1170.2-2011	