

PostMount 6-A for XL Panels

Code-Compliant Planning and Installation Guide V 1.1
Complying with AS/NZS1170.2-2011 ADMT 4-2016



Introduction

Clenergy PV-ezRack® PostMount 6-A for XL Panels (up to 2100 x 1100 mm) is a ground mounting system suitable for large scale commercial and utility scale installations. PVezRack® PostMount 6-A for XL Panels has been developed to fit any PV module in the outdoors and uneven ground areas. PVezRack® PostMount 6-A for XL Panels have good compatibility for the different region via the angle adjustment (10°~60°). Using high quality engineered components PostMount 6-A for XL Panels saves developers and installers, time and money when delivering large scale projects.

Please review this manual thoroughly before installing PostMount 6-A for XL Panels. This manual provides the following contents:

- 1) Installation planning;
- 2) Installation instructions.

List of contents

Introduction	01
Tools & Components	02
System Overview	03
Installation Instruction	06
Certification	11

The PV-ezRack® PostMount 6-A for XL Panels parts, when installed in accordance with this guide, will be structurally adequate and meet the AS/NZS1170.2:2011 Admt 4-2016 standard. During installation, and especially when working on the ground, please comply with the appropriate occupational health and safety regulations. Please also pay attention to other relevant regulations in your local region. Please check that you are using the latest version of the installation manual by contacting Clenergy via email on www.clenergy.com.au or contacting your local distributor.

The installer is solely responsible for:





- Complying with all applicable local or national building codes, including any updates that may supersede this manual;
- Ensuring that PV-ezRack® and other products are appropriate for the particular installation and the installation environment;
- Using only PV-ezRack® parts and installer supplied parts as specified by PV-ezRack® project plan (substitution of parts may void the warranty and invalidate the letter of certification);
- Recycling: Recycle: according to the local relative statute;
- Ensuring that there are no less than two professionals working on panel installation;
- Ensuring the installation of related electrical equipment is performed by licenced electricians;
- Ensuring safe installation of all electrical aspects of the PV array, including providing adequate earth bonding of the PV array and PV-ezRack® PostMount components as required in AS/NZS 5033: 2021.

Product Warranty:

Please refer [PV-ezRack® Product Warranty](#) on our website.

Tools and Components

Tools

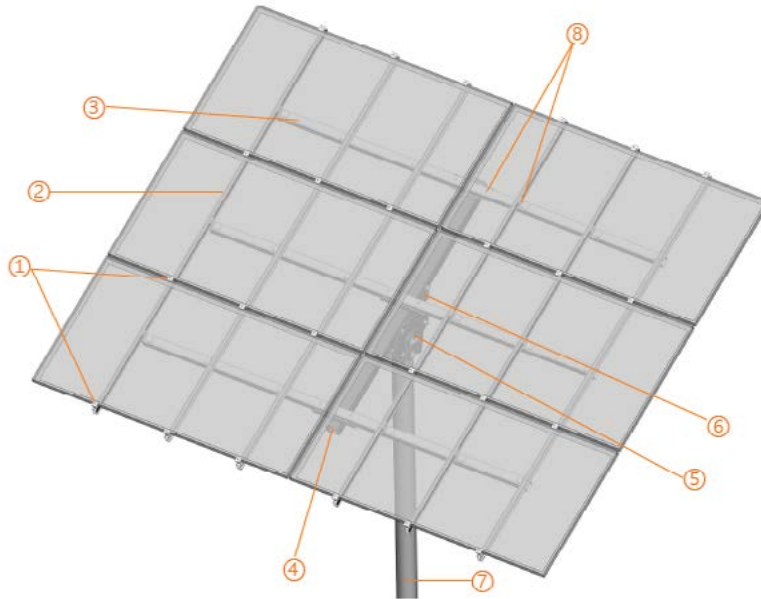
			
Allen Key 6 mm	Spanner	Torque Wrench	5m Tape

Components

				
C-U/30/46-G Universal Clamp x 4	ER-R-ECO/3150 ECO-Rail, length 3150mm x 6	ER-AP-PM6/8/A-LP PM6-A, PM8-A Kit x 1	ER-RT-100/2200 PM6-A Rectangular Tube-Master x 1	ER-RT-70/3170 PM6-A&PM8-A Rectangular Tube- Landscape x 3
				
ER-P-152/3000 Pipe x 1	ER-SC-PM6 PM6-A, PM8-A Steel Cap Assembly x 1	ER-RT-100/576 PM6-A, PM8-A Steel Cap Assembly x 1	EZ-GL-ST Grounding Lug x 4	

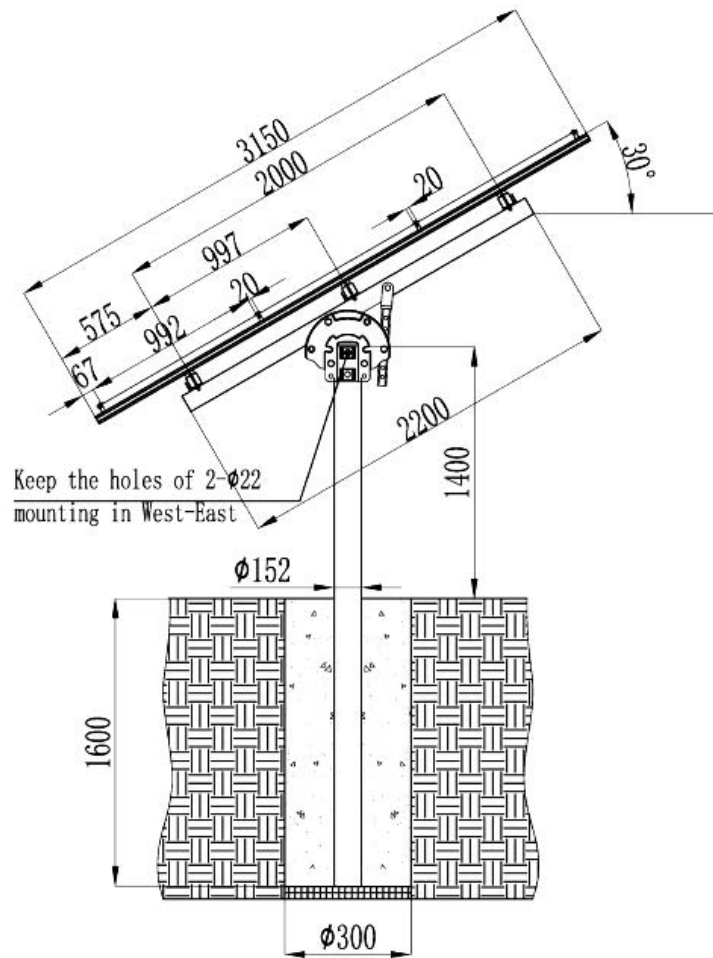
System Overview

Overview of PV-ezRack® PostMount 6-A for XL Panels



- 1. Universal Clamp 2. ECO-Rail 3. PM6-A Rectangular Tube- Landscape 4. PM6-A Rectangular Tube-Master
- 5. Steel Cap Assembly 6. PM6-A Adjustable Tube 7. Pipe 8. PM6-A Kit

Side view drawing of PV-ezRack® PostMount 6-A for XL Panels is shown below. The panels tilt angle and embedment depth below are for reference only. Please refer to Certificate Letter to obtain the certified max panels tilt angle and min embedment depth for different wind regions and different soil types.



Precautionary Measures for Stainless-Steel Fastener Installation

Precautionary Measures for Stainless-Steel Fastener Installation

Improper operation may lead to the deadlock of bolts and nuts. Follow the steps below to reduce this risk.

Reduce the friction coefficient

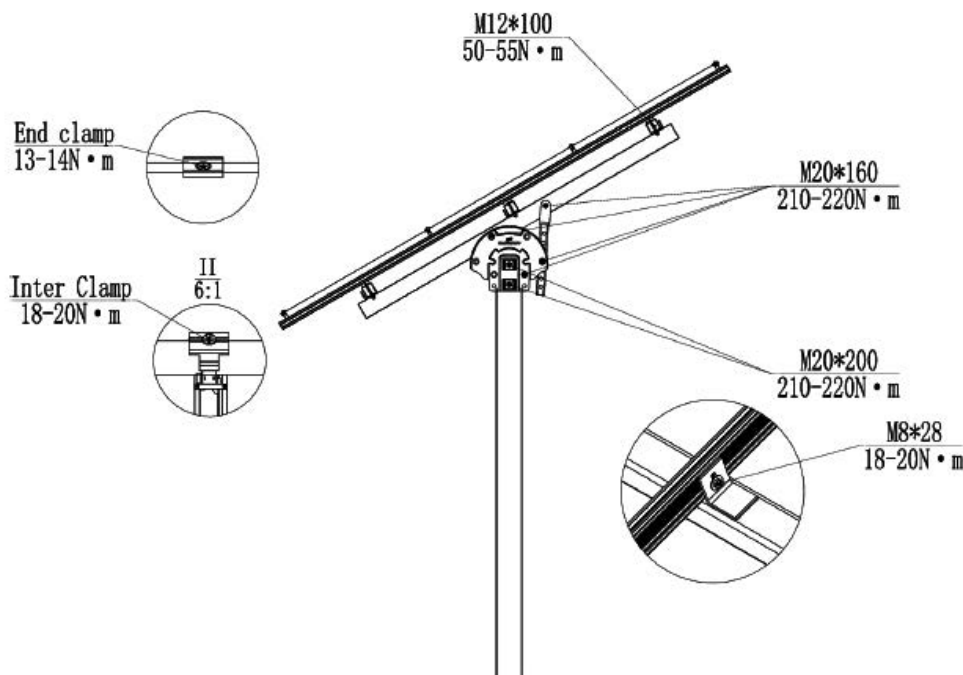
- (1) Ensure that the thread surface is clean (no dirt or contaminant).
- (2) Apply lubricant (grease or 40# engine oil) to fasteners prior to tightening to avoid galling or seizing in the threads.

General installation instructions

- (1) Apply force to fasteners in the direction of thread.
- (2) Apply force uniformly to maintain required torque.
- (3) Professional tools and tool belts are recommended.
- (4) Avoid using electric tools for final tightening.
- (5) Avoid working at high temperatures.

Safe Torques

Please refer to safe torques defined in this guide as shown in the figure below. If power tools are required, Clenergy recommends the use of low speed only. High speed and impact drivers increase the risk of bolt galling (deadlock). If deadlock occurs and you need to cut fasteners, please make sure that there is no load on the fastener before you cut it. Avoid damaging the anodized or galvanized surfaces.



Installation Dimensions

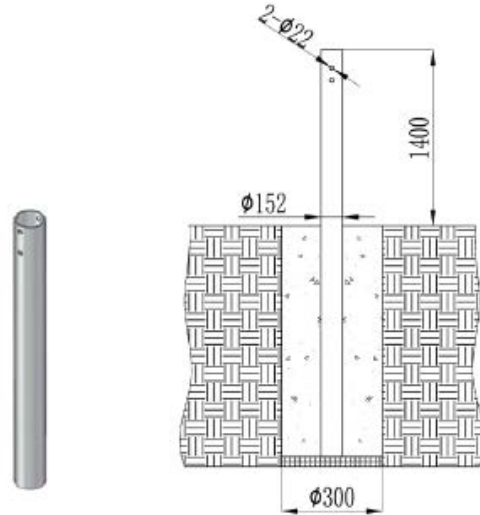
All drawings and dimensions in this installation guide are for generic reference. The PV-ezRack® PostMount 6-A for XL Panels is to be optimized to suit specific conditions for each project and documented in engineering drawings. As a result, major components of the PV-ezRack® PostMount 6-A for XL Panels may be provided in sectional sizes and lengths that vary from those shown in this guide. The installation operations detailed in this instruction guide remain the same regardless of the component size. In case you need to do any on-site modifications or alteration of the system in a way that would be different from engineering drawings, please provide marked up drawings/sketches for Clenergy's review prior to modification for comment and approval.

Installation Instruction

Pipe Installation

Dig a hole with the diameter of 300mm .

Place the pole into the middle of the hole and fill it with concrete (min 25 MPa strength). Maintain the position of the post. The allowed vertical tolerance is $\pm 2^\circ$. Keep the axle of the 2- $\varnothing 22$ holes parallel to East-West; keep the vertical angle deviation within $\pm 5^\circ$. For more than one system on one site maintain all the axles of 2- $\varnothing 22$ holes aligned.



Steel Cap Installation

Connect the Pipe to the corrugated washer and Steel Cap Assembly with M20*210 hexagonal bolt, spring washer 20, M20 nut.

Combine two Steel Caps with M20*160 hexagonal bolt, spring washer 20, M20 hex nut.

Notes:

- 1) Do not fasten the Bolt prior to complete the assembly of PM-A Rectangular Tube-Master.
- 2) Keep all the Bolt head aligned.



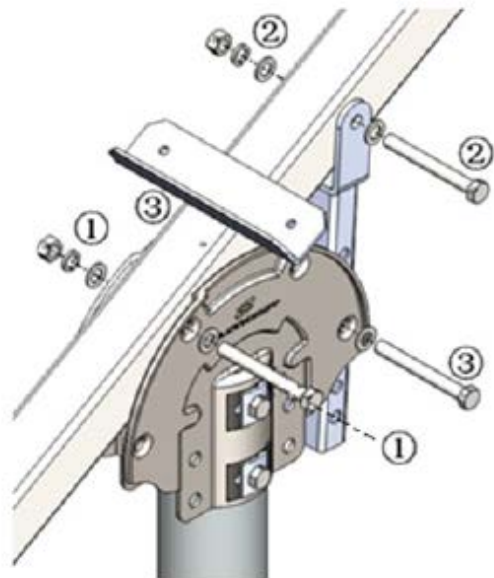
PM6-A Rectangular Tube-Master Installation

Fix the Rectangular Tube-Master at Steel Cap Assembly with M20*160 hex bolt, M20 nut, plain washer 20, and spring washer 20. See the mark (1).

Fix the Adjustable Tube at Rectangular Tube-Master with M20*160 hex bolt, plain washer 20, and spring washer 20, M20 nut. See the mark (2).

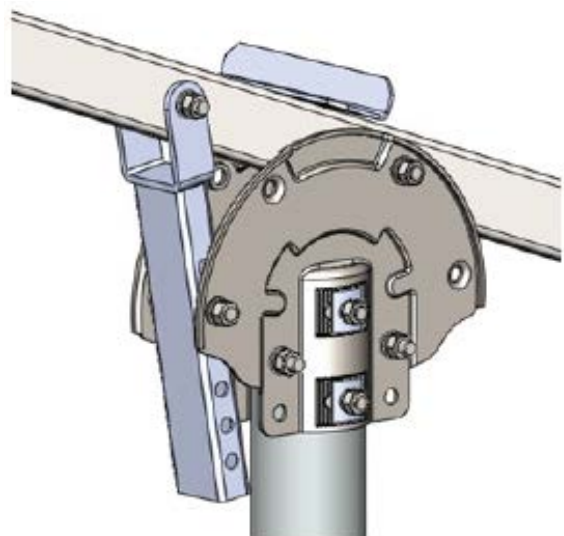
Fix the Adjustable Tube at Steel Cap Assembly with M20*160 hex bolt, M20 nut, plain washer 20, and spring washer 20. See the mark (3).

Realized the angle adjustment by position the bolt in the different holes.



Fasten the Steel Cap Assembly to Pipe with M20*210, M20*160 Hex Bolt, keep the Rectangular Tube-Master parallel to the south-north by adjust the Steel Cap Assembly

Recommended torque for M20 bolts is 210~220 N·m.



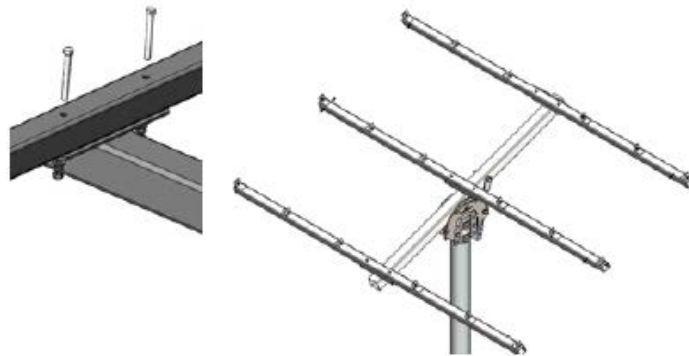
Notes:

- 1) Adjust the angle of the allation, the angle of the Rectangular Tube-Master with 10°(6 holes from up to bottom corresponds to 10° to 60° tilt angle) in order to make the assembly process run smooth.
- 2) Using the adjustable washer to avoid the gap between the Rectangular Tube-Master and the PM3/4-A Adjustable Tube. Unreliable connection is forbidden..

Rectangular Tube- Landscape Installation

Fix the 3 pcs PM6-A Rectangular Tube-Landscapes at Rectangular Tube-Master on pre-welded L profile angle bracket with 2 pcs M12*100 hex bolts, 2 pcs M12 nuts , 2 pcs plain washers 12 and 2 pcs spring washers 12. Do not fasten the Nut until 3 Rectangular Tube-Landscapes aligned.

Recommended torque for M10 bolts is 35~40 N·m.



ECO-Rail Installation

Fix the ECO-Rail to Rectangular Tube-Master with M8*20 hex socket bolt, Z module, Spring washer 8, Washer 8.

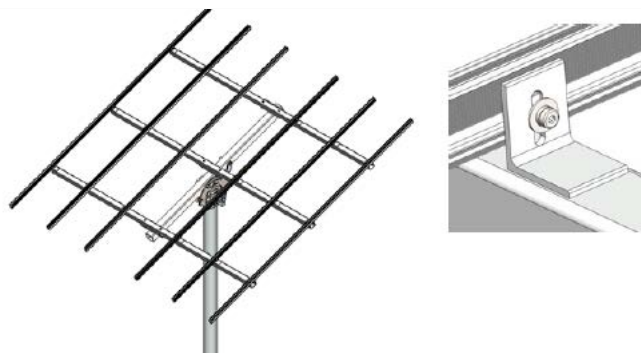
Note:

Make sure that the rail ends align horizontally and that the rails are parallel to each other.

Recommended torque for M8 bolts is 18~20 N·m

Note:

ECO-Rail of 3150 mm is a standard length in this system, which can be suitable for up to 1002 mm wide panel. If the panels are over 1002 mm (less than 1100 mm) wide, the required minimum rail length is: $(\text{panel width}-1002)*3+3150$ (mm). For example, panels are 1050 mm wide. The required minimum rail length is $(1050-1002)*3+3150 = 3294$ mm. For convenience, the rail length is rounded up to 3300 mm (multiple of 50 mm).



PV Module Installation

Fix the PV panel to Rail, via Universal Inter Clamps and End Clamps step by step until all the panels complete.

Recommended torque for M8 bolts is 18~20 N·m

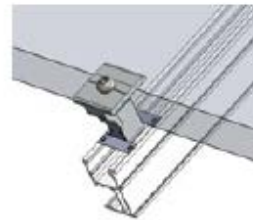
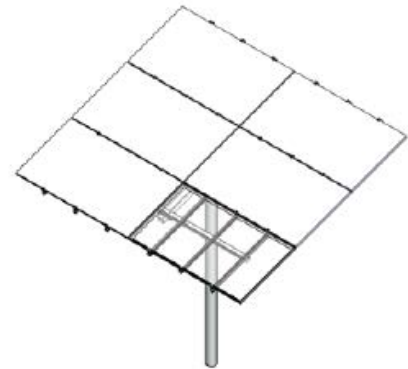
Note:

The Universal Clamp can be used both as a End Clamp and a Inter Clamp, and the height can be adjusted from 30 to 46 mm.

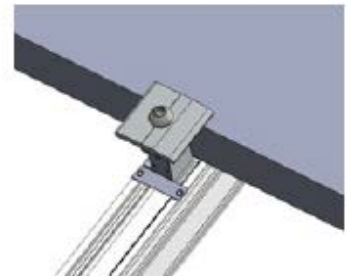
When the side of the Universal Clamp close the narrow side of the Universal Clamp Buckle, it can be used as End Clamp, and when the side of the Universal Clamp close the wide side of the Universal Clamp Buckle, it can be used as Inter Clamp, as shown in the figure on the right. The Universal Clamp can be directly rotated to the position of required End or Inter Clamp.

Recommended torque for M8 bolts when it is Inter Clamp is 18~20 N·m

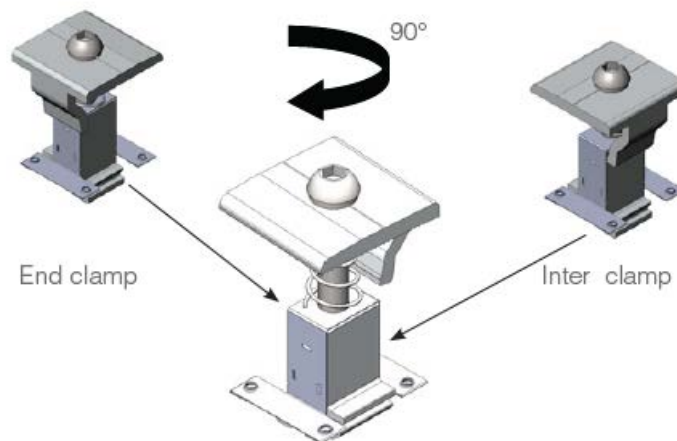
Recommended torque for M8 bolts when it is End Clamp is 13~14 N·m



End Clamp



Inter Clamp

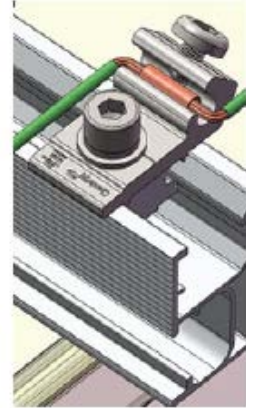


Apply one pre-assembled Grounding Lug per Rail. Click the Grounding Lug into to the rail channel and insert the Copper Wire. (the maximum size is 4 mm² or similar) Fasten the bolt M6*14 with 5~6 N·m and the bolt M8*25 with 16~20 N·m .Copper Pipe will be supplied for the case that using small size Copper Wire.

There are three solutions for Grounding Lug installation.

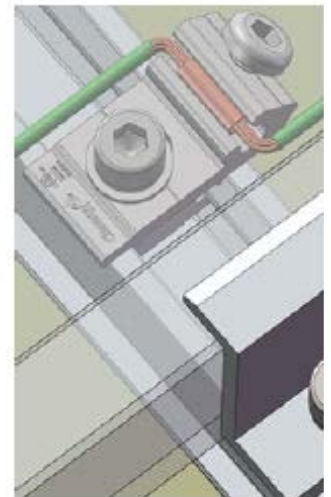
Solution 1:

Fix the Grounding Lug at the end of Rail as shown in the figure on the right.



Solution 2:

Fix the Grounding Lug at the Rail where just under the PV Module as shown in the figure on the right.



Solution 3:

Fix the Grounding Lug at the side channel of Rail as shown in the figure on the right.



Certification



REF: CL-10130-S
Internal REF: 00143

18th April 2019

Clenergy Australia
1/10 Duerdin Street
Clayton, VIC 3168

Array Frame Engineering Certificate

Postmount PM6-A/2100 Installation

MW Engineering Melbourne Pty Ltd, being Structural Engineers within the meaning of Australian and NZ Building Regulations, have carried out a structural design check of the PV-ezRack Postmount PM6-A/2100 within Australia. The design check has been based on the information in the *PV-ezRack PM6-A/2100 Planning and Installation Guide* and schematic drawings of the system components, provided by Clenergy Australia.

Part number	Description
ER-R-ECO/3150	PV-ezRack ECO Rail 3150mm
ER-RT-70/3170	PV-ezRack Rectangular Tube-Landscape 70*70*3170*T4
ER-RT-100/2200	PV-ezRack Rectangular Tube-Master 100*100*2200*T5
ER-RT-100/576	PV-ezRack (PM6-A,PM8-A), Adjustable Tube 100*50*576
ER-P-152/3000	PV-ezRack, Pipe ϕ 152*3000*T6
ER-SC-PM6/PM8	PV-ezRack PM6-A,PM8-A, Steel Cap Assembly
C-U/30/46-G	PV-ezRack, Universal Clamp for Frame Height 30-46mm with Grounding Clip

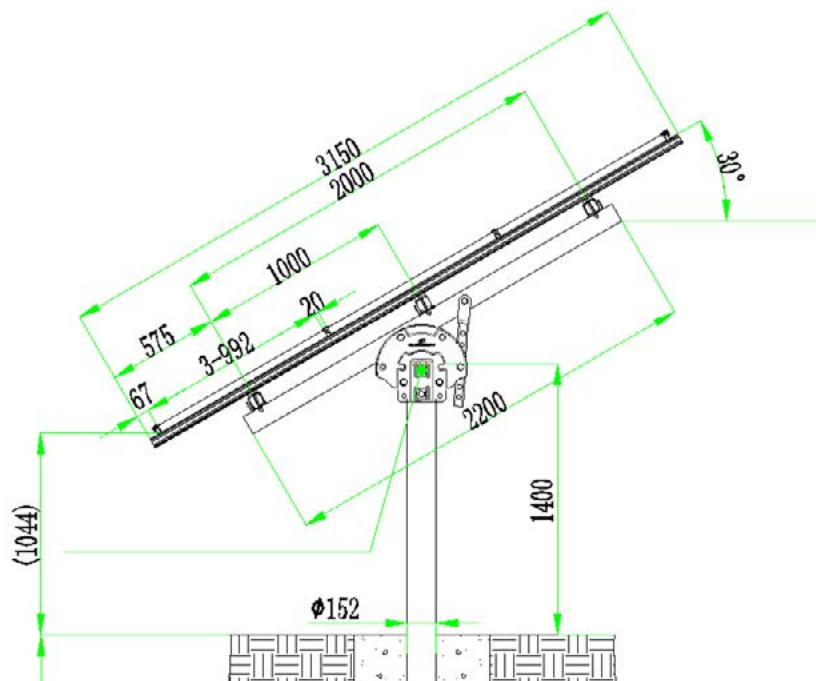
We find the Postmount PM6-A/2100 to be structurally sufficient for Australian and New Zealand use, based on the following conditions:

- Wind Loads to AS/NZ1170.2:2011, Amendment 4-2016:
 - Wind Terrain Category: 2;
 - Wind average recurrence interval of 100 years- For ultimate state, 25 years- service-ability;
 - Wind region A, B, C & D;



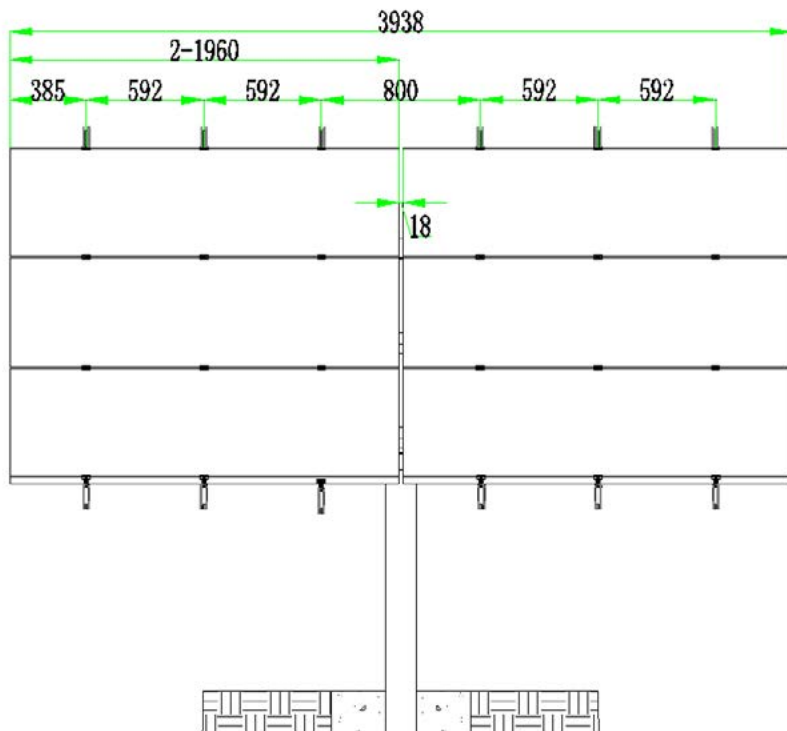
REF: CL-10130-S
Internal REF: 00143

- Max Solar Panel Length 2.1m, width 1.1m;
- Yield Strength:
 - Steel 300 MPa,
 - Aluminium 240 MPa;
- Maximum tilt angle options: refer to tables;
- Dimension as shown here on the picture;





REF: CL-10130-S
Internal REF: 00143





Maximum Tilt Angle Options

REF: CL-10130-S
Internal REF: 00143

	Wind Region			
	Region A	Region B	Region C	Region D
Wind speed (m/s)	41	48	-	-
Maximum tilt angle (°)	30	20	-	-
Soil Type	Post Embedded in concrete pier: 300 mm diameter concrete piers minimum depth (m)			
Hard class soil [Gravels; dry (hard) clays]	1.37	1.11	-	-
Very Firm class soil [Dry (Stiff) clays; clayey sands; coarse sands; compact sands]	1.46	1.19	-	-
Firm class soil [Damp clays; sandy clays; damp sands]	-	1.32	-	-
Soft class soil [wet clays; silty loams; wet loose sands]	-	1.70	-	-

Notes:

1. Terrain Category 2 (TC2) refers to open terrain, including grassland, with well-scattered obstructions having heights generally from 1.5m to 5m, with no more than two obstructions per hectare. This certificate will only cover Postmount PM6-A/2100 installed on TC2.
2. Panel weight calculated: 28kg
3. Solar Panels structural check by others.
4. Other piers dimensions are possible, contact Clenergy, if required.
5. For concrete pier foundations, use 25Mpa strength concrete (minimum).
6. The scope of this certification is for projects located at a maximum altitude of 100m above sea level. No snow loads have been assessed.
7. If depth of footing is less than length of post below ground (embedment depth of post) the post must be cut to suit the new level.



REF: CL-10130-S
Internal REF: 00143

8. Footing depths are for reference only. The characteristics of the soil must be checked on site by a technical expert. A soil report assessment is always recommended and Clenergy must be informed on the outcome of the soil report.

Construction is to be carried out strictly on accordance with the instruction manual. This work was designed in accordance with the provisions of Australian Building Regulations and in accordance with sound, widely accepted engineering principles.

Should you have any queries, do not hesitate to contact us.

Best Regards,

Alberto Escobar
Civil/Structural Engineer
BEng MIEAust NER
BRP EC 46542
RPEQ 18759
info@mwengineering.melbourne








PV-ezRACK®

Clenergy

1/10 Duerdin St
Clayton VIC 2168
Australia

Phone: +61 3 9239 8088
Email: sales@clenergy.com.au
Web: www.clenergy.com.au

 @ClenergyGlobal / @ClenergyClub / ClenergyAUS  @Clenergy  @ClenergyClub
 @Clenergy_global  @Clenergy

A Clenergy Technologies Company